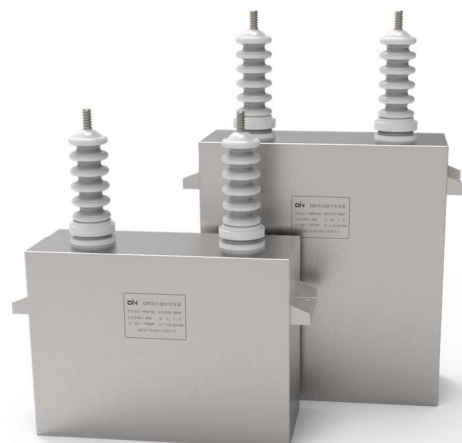
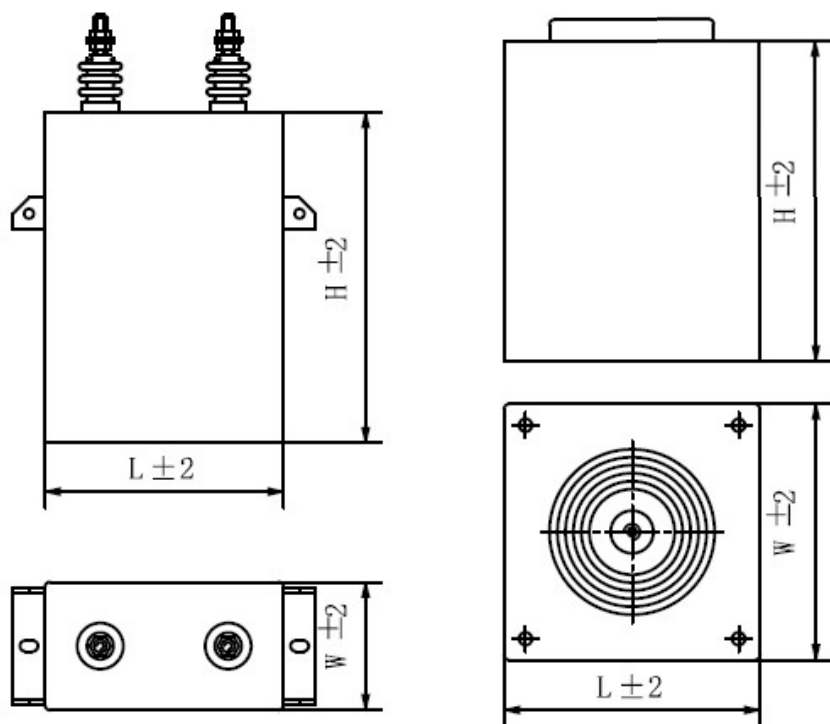


# MKMJ 系列 SERIES

## ■ 外形图 Outline Drawing



## ■ 特点

- 金属外壳全密封结构
- 干式无油
- 电性能优异，可靠性高

## ■ 主要用途

- 广泛应用于能库能源系统储能

## ■ Features

- Full sealed structure of metal shell
- Dry type design
- Excellent electrical performance and high reliability

## ■ Typical application

- Widely used in Energy storage of energy system.

■ 技术参数 Technical Specifications

项目 Items	性能要求 Characteristics
引用标准/Reference standards	GB/T 4704-92
工作温度范围/Operating temperature range	-40℃~85℃
容量范围/Capacitance	5μF~80000μF
额定电压/Rated Voltage	1000V.DC~10000V.DC
容量偏差/Tolerance	±5% ±10%
损耗角正切/Dissipation factor	$\text{tg}\delta \leq 10 \times 10^{-4}$ at 25℃±5℃, 1KHz
绝缘电阻/Insulation resistance	$C \cdot R \geq 7500\text{S}$ , at 100V.DC, 25℃±5℃, 60s
极间耐电压/Test voltage between terminals	1.1~1.5Un (2S, 25℃±5℃)
极壳耐电压/Test voltage between terminals and case	2Un, 1min
设计寿命/(≤10%UR)	≥20000次
最高使用海拔/Max Altitude	2000m

■ 标准品一览表 Standard size

静电容量 Cap(μF)	电压 (KV)	Outline size (mm)			额定 储能 (KJ)	Ls (nH)	dv/dt (V/us)	î (KA)	I <sub>rms</sub> @25℃/100KHZ (A)	比能 (J/cm <sup>3</sup> )
		W (mm)	H (mm)	T (mm)						
10000	3	340	420	260	45	120	7.5	75	180	1.2
20000	“	390	740	“	90	“	“	150	250	“
4000	5	340	470	“	50	“	15	60	140	“
4800	“	“	565	“	60	“	18.75	90	180	“
6400	“	390	655	“	80	130	“	120	220	“
8000	“	“	820	“	100	“	“	150	280	“
1200	10	340	565	“	60	140	100	120	160	“
1600	“	“	750	“	80	“	112.5	180	210	“
2000	“	390	820	“	100	“	125	250	260	“
400	15	340	420	“	45	150	87.5	35	90	“
800	“	“	840	“	90	“	93.75	75	160	“
200	20	“	375	“	40	160	125	25	60	“
300	“	“	565	“	60	“	116.7	35	90	“
400	“	“	750	“	80	“	125	50	110	“
500	“	390	820	“	100	“	120	60	135	“
160	25	340	470	“	50	180	156	25	60	“
256	“	“	750	“	80	“	117	30	70	“
300	“	390	820	“	100	“	140	42	100	“

◇ 备注：特殊需要可根据客户要求另行设计

◇ Note: Special requirements can be designed according to customer requirements