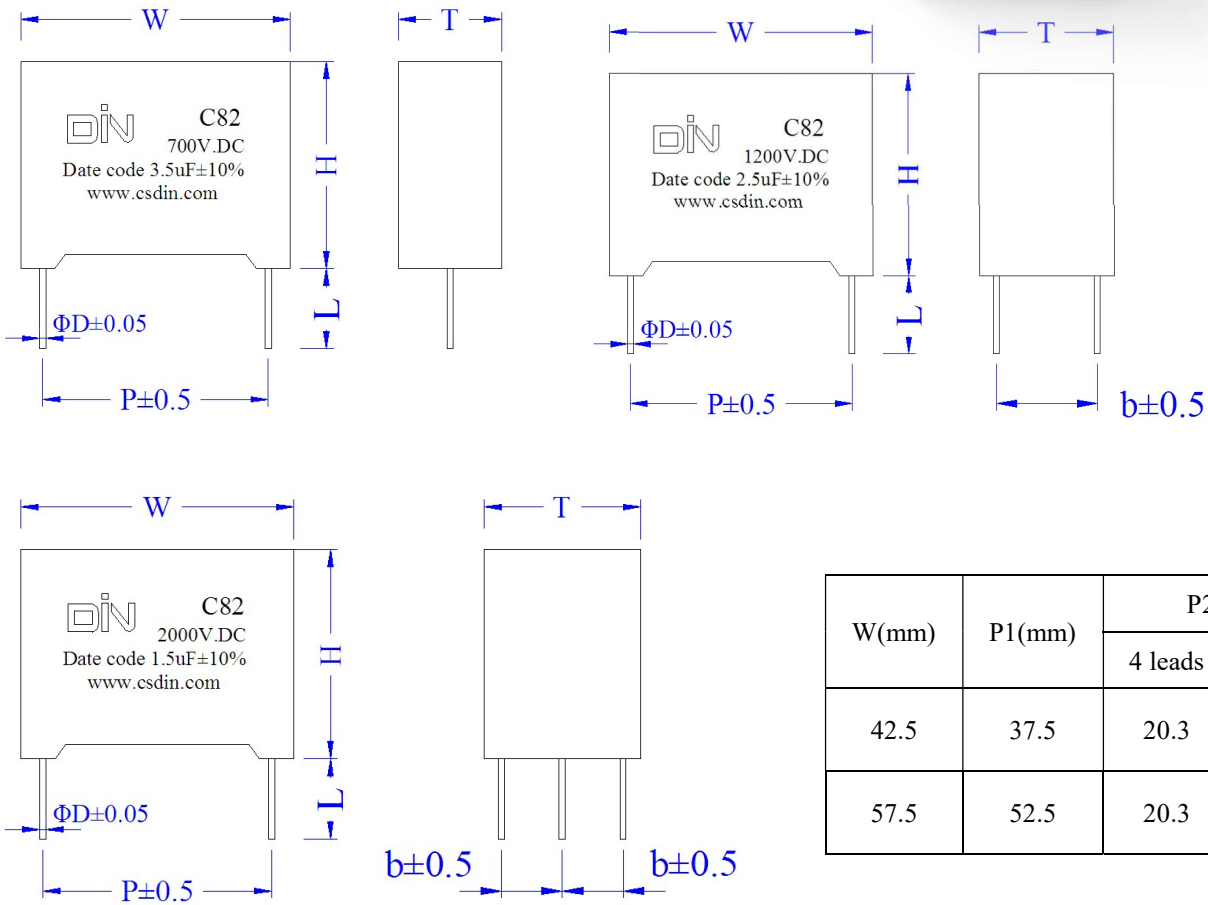
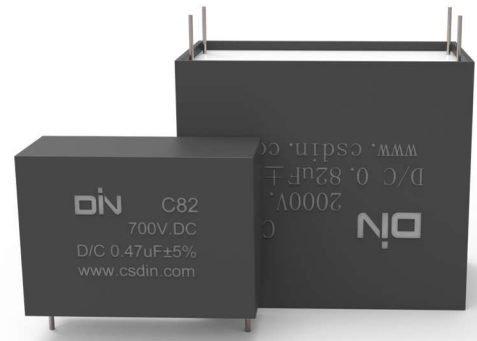


C82 系列 SERIES

■ 外形图 Outline Drawing



■ 特点

- 耐压高，电流大
- 温升高，寿命长
- 体积小

■ 主要用途

- 广泛应用于商用电磁炉和感应加热设备的半桥、全桥谐振电路

■ Features

- Resistance to high voltage, heavy current
- Low temperature, Long lifetime
- Small size

■ Typical application

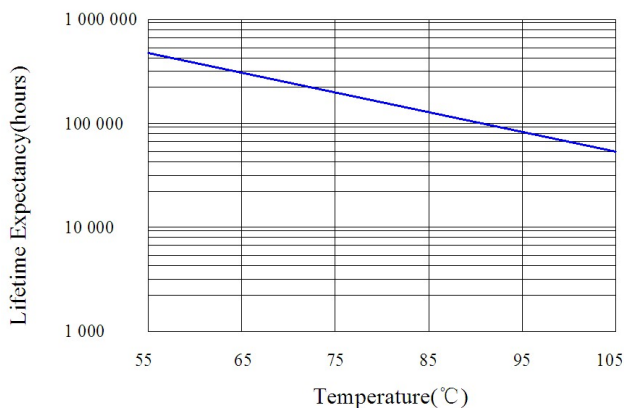
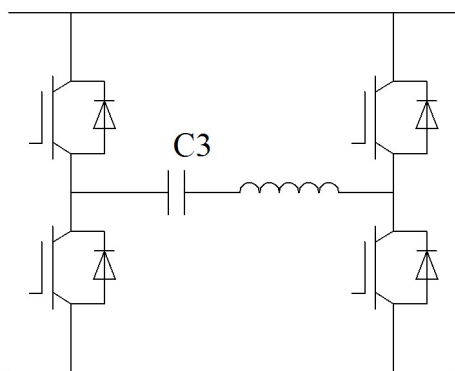
- Widely used in half-bridge, full bridge's resonant circuit of commercial induction cooker and induction heater

■ 技术参数 Technical Specifications

项目 Items	性能要求 Characteristics
引用标准/Reference standards	GB/T 17702 IEC 61071
容量范围/Capacitance	0.1μF ~8.0μF
额定电压/Rated Voltage	700V.DC ~3000 V.DC
容量偏差/Tolerance	±5% ±10%
损耗角正切/Dissipation factor	$\text{tg}\delta \leq 20 \times 10^{-4}$ at 25°C±5°C,10KHz
绝缘电阻/Insulation resistance	$C \cdot R \geq 5000\text{S}$, at 100V.DC, 25°C±5°C, 60s
工作温度范围/Operating temperature range	-40°C ~105°C
极间耐电压/Test voltage between terminals	1.5Un (10S, 25°C±5°C)
极壳耐电压/Test voltage between terminals and case	3000V.AC(10S, 50/60Hz, 25°C±5°C)
最高使用海拔/Max Altitude	2000m
预期寿命/Expected lifetime	100 000hrs @ Un, θhs=70°C
失效率/Failure rate	100FIT

■ 典型线路/Typical circuit

■ 预期寿命曲线/ Expected lifetime curve



■ 产品编码说明/Part number code system

▲ 18位产品代码如下:

▲ The 18 digits part number is formed as follow:

C	8	2															
1	2	3	4	5	6	7	8	9	10	11	12	13	14	15	16	17	18

1~3位: 型号代码

Digit 1~3: Series code

4~6位: 标称容量

Digit 4~6: Rated capacitance value

如: 104=10×10⁴PF=0.1uF

Example: 104=10×10⁴PF=0.1uF

7~10位: 内部特征码

Digit 7~10: Internal use

11位: 容量偏差

Digit 11: Capacitance tolerance

J=±5%、K=±10%、M=±20%

J=±5%、K=±10%、M=±20%

12~13位: 额定电压

Digit 12~13: Rated voltage

26=700V、3A=1000V

26=700V、3A=1000V

3C=1200V、3I=170V、3K=2000V

3C=1200V、3I=170V、3K=2000V

3S=3000V

3S=3000V

14~16位: 引出端代码

Digit 14~16: Terminal code

14位 Digit 14		15位 Digit 15		16位 Digit 16	
代码 Code	电极 Electrode	代码 Code	脚型 Lead kinked	代码 Code	脚长偏差 Length tolerance
3	0.8CU	A	2引线	0	L±1.0mm
4	1.0CU	D	4引线b=10.2mm	A	L±0.5mm
5	1.2CU	H	4引线b=20.3mm		

17~18位: 脚长

Digit 17~18: Lead length

00=5.5mm, 38=3.8mm, 40=4.0mm

00=5.5mm, 38=3.8mm, 40=4.0mm

■ 标准品一览表 Standard size

静电容量 Cap(uF)	Outline size (mm)			P ±0.5	b ±0.5	d ±0.5	dv/dt (V/us)	ESR @10kHz (mΩ)	Irms @40°C/10KHZ (A)	Ls (nH)	Part number
	W	H	T								
Un=700V. DC, Urms: 400V. AC											
0.47	42.5	28.0	14.0	37.5	--	1.0	500	12	8	25	C82474****□264AA00
1.0	41.0	32.0	17.0	"	--	"	450	8	12	24	C82105****□264AA00
1.5	42.5	44.0	24.0	"	--	1.2	430	7	15	25	C82155****□265AA00
2.0	"	"	"	"	--	"	420	6	18	24	C82205****□265AA00
2.5	"	45.0	30.0	"	10.2	1.0	400	"	19	23	C82255****□264DA00
3.0	"	"	"	"	"	"	380	5.5	20	22	C82305**J*□264DA00
3.0	57.5	"	"	52.5	20.3	1.2	350	5	22	26	C82305**M*□265HA00
3.5	42.5	"	"	37.5	10.2	1.0	350	"	25	23	C82355**J*□264DA00
3.5	57.5	"	"	52.5	20.3	1.2	300	6	22	25	C82355**M*□265HA00
4.7	"	50.0	35.0	"	10.2	1.0	280	5	25	28	C82475****□264DA00
5.6	"	54.0	38.0	"	"	"	250	4	25	30	C82565****□264DA00
6.0	"	"	"	"	"	1.2	230	3.5	28	33	C82605****□265DA00
6.8	"	56.0	42.5	"	"	"	220	3.2	32	32	C82685****□265DA00
8.0	"	"	"	"	"	"	200	2.8	33	30	C82805****□265DA00
Un=1000V. DC, Urms: 500V. AC											
0.22	42.5	28.0	14.0	37.5	--	1.0	1200	15	7	26	C82224****□3A4AA00
0.47	41.0	32.0	17.0	"	--	"	1000	11	10	25	C82474****□3A4AA00
0.68	"	"	"	"	--	"	800	8	12	25	C82684****□3A4AA00
1.0	42.5	44.0	24.0	"	--	1.2	"	6	15	24	C82105****□3A5AA00
1.5	"	45.0	30.0	"	10.2	1.0	700	"	"	"	C82155****□3A4DA00
2.0	"	"	"	"	"	"	"	5	20	22	C82205****□3A4DA00
2.5	57.5	"	"	52.5	20.3	1.2	600	"	22	30	C82255****□3A5HA00
3.0	"	50.0	35.0	"	"	"	"	4	25	"	C82305****□3A5HA00
3.3	"	"	"	"	10.2	1.0	550	3.5	"	28	C82335****□3A4DA00
3.5	"	54.0	38.0	"	"	"	500	"	"	"	C82255****□3A4DA00
4.0	"	"	"	"	"	1.2	"	3.2	28	26	C82405****□3A5DA00
4.7	"	56.0	42.5	"	"	"	420	3	30	25	C82475****□3A5DA00
5.6	"	"	"	"	"	"	400	2.8	32	24	C82565****□3A5DA00
Un=1200V. DC, Urms: 550V. AC											
0.22	42.5	28.0	14.0	37.5	--	1.0	1300	15	8	26	C82224****□3C4AA00
0.47	41.0	32.0	17.0	"	--	"	1200	11	10	24	C82474****□3C4AA00
0.68	42.5	44.0	24.0	"	--	1.2	1100	7	12	23	C82684****□3C5AA00
1.0	"	"	"	"	--	"	800	6	14	22	C82105****□3C5AA00
1.5	"	45.0	30.0	"	10.2	1.0	800	5	15	20	C82155****□3C4DA00
2.0	57.5	"	"	52.5	20.3	1.2	750	4	20	30	C82205****□3C5HA00
2.5	"	50.0	35.0	"	10.2	1.0	700	"	25	28	C82255****□3C4DA00
3.0	"	"	"	"	"	"	600	"	"	27	C82305****□3C4DA00
3.3	"	54.0	38.0	"	"	1.2	550	"	28	"	C82335****□3C5DA00
3.5	"	56.0	42.5	"	"	"	500	3.5	"	25	C82355****□3C5DA00
4.0	"	"	"	"	"	"	450	"	30	"	C82405****□3C5DA00
4.7	"	"	"	"	"	"	420	3.2	32	23	C82475****□3C5DA00

◇ 备注：特殊需要可根据客户要求另行设计

◇ Note: Special requirements can be designed according to customer requirements

■ 标准品一览表 Standard size

静电容量 Cap(uF)	Outline size (mm)			P ±0.5	b ±0.5	d ±0.5	dv/dt (V/us)	ESR @10kHz (mΩ)	I _{rms} @40°C/10KHZ (A)	L _s (nH)	Part number
	W	H	T								
Un=1700V. DC, Urms: 575V. AC											
0.22	42.5	28	14	37.5	--	1.2	1500	15	9	26	C82224****□3I5AA00
0.33	41.0	32.0	17.0	"	--	"	1300	12	10	25	C82334****□3I5AA00
0.47	42.5	"	"	"	--	"	"	10	10	24	C82474****□3I5AA00
0.68	"	44.0	24.0	"	20.3	1.0	"	8	12	23	C82684****□3I4HA00
1.0	"	45	30.0	"	"	1.2	1200	7	15	22	C82105****□3I5HA00
1.5	"	"	"	"	10.2	1.0	"	6	18	"	C82155****□3I4DA00
1.5	57.5	"	30	52.5	20.3	1.2	"	5	20	31	C82155****□3I5HA00
2.0	"	"	"	"	"	"	1100	"	22	30	C82205****□3I5HA00
2.5	"	50	35	"	10.2	1.0	"	4	25	28	C82255****□3I4DA00
3.0	"	54	38	"	"	1.2	700	"	"	27	C82305****□3I5DA00
3.3	"	"	"	"	"	"	600	3.8	28	26	C82335****□3I5DA00
3.5	"	56	42.5	"	"	"	500	3.5	30	25	C82355****□3I5DA00
4.0	"	"	"	"	"	"	450	3.2	32	"	C82405****□3I5DA00
Un=2000V. DC, Urms: 700V. AC											
0.22	41.0	32.0	17.0	37.5	--	1.2	1500	15	10	25	C82224****□3K5AA00
0.33	42.5	44.0	24.0	"	20.3	1.0	"	12	12	24	C82334****□3K4HA00
0.47	"	"	"	"	"	"	1400	11	15	23	C82474****□3K4HA00
0.68	"	45	30.0	"	10.2	"	1200	8	18	22	C82684****□3K4DA00
0.68	57.5	"	30	52.5	20.3	1.2	1100	7	20	30	C82684****□3K5HA00
0.82	42.5	"	33	37.5	10.2	1.0	1200	7	22	28	C82824****□3K4DA00
1.0	57.5	"	30	52.5	20.3	1.2	1100	6	25	28	C82105****□3K5HA00
1.5	"	50	35	37.5	10.2	1.0	1000	5	28	25	C82155****□3K4DA00
2.0	"	54	38	"	"	1.2	800	5	28	24	C82202****□3K5DA00
2.2	"	56	42.5	"	"	"	700	4	32	23	C82225****□3K5DA00
Un=3000V. DC, Urms: 750V. AC											
0.15	42.5	45	30.0	37.5	10.2	1.0	2500	18	25	28	C82154****□3S4DA00
0.22	"	"	"	"	"	"	2200	15	28	27	C82224****□3S4DA00
0.22	57.5	50	35	52.5	20.3	1.2	2000	15	20	25	C82224****□3S5HA00
0.33	"	"	"	"	"	"	1800	12	"	24	C82334****□3S5HA00
0.47	"	54	38	"	10.2	1.0	1600	11	22	23	C82474****□3S4DA00
0.68	"	56	42.5	"	"	1.2	1500	8	28	22	C82684****□3S5DA00

- ◇ 备注：特殊需要可根据客户要求另行设计
- ◇ Note: Special requirements can be designed according to customer requirements
- ◇ 1.“**”、“*”表示内部特征码；“**”、“*”=Internal use
- ◇ 2.“□”表示容量偏差；“□”= Capacitance tolerance