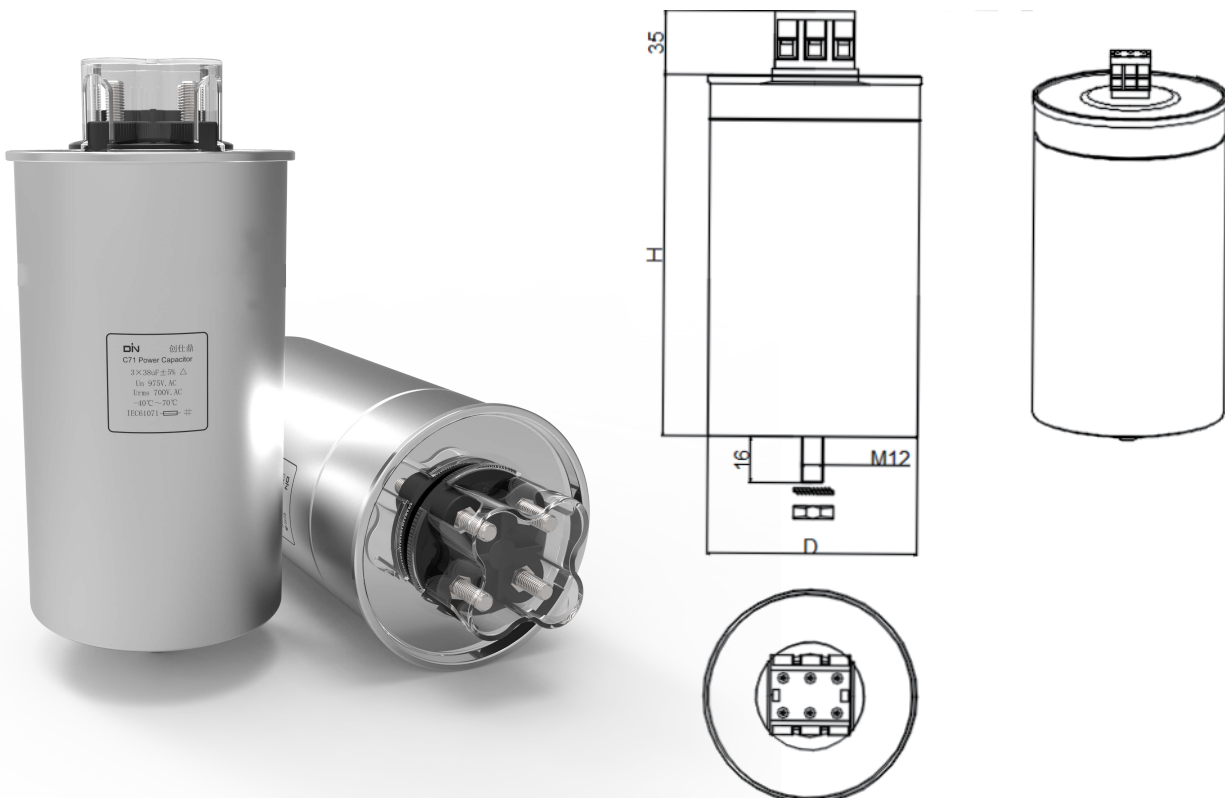


# Film Capacitors – Three Phase AC Filter capacitors

## Out drawing



### Construction

- Dielectric: Polypropylene film
- Non-PCB, soft polyurethane
- Extruded round aluminium can with stud
- Stud on bottom of aluminum can
- Discharge resistor if required

### Terminals

- Optimized capacitor safety terminals or Screw terminals

### Features

- Three-phase, delta connected
- Self-healing technology ,Overpressure disconnecter
- Naturally air cooled (or forced air cooling)

### Typical applications

- General purpose applications  
UPS systems, Wind power

Cn ( $\mu\text{F}$ )	Rs ( $\text{m}\Omega$ )	Ls (nH)	Rth (k/W)	I <sub>max</sub> (A)	$\hat{I}$ (KA)	$\hat{I}_s$ (KA)	DXL (mm)	M (kg)	Part number
<b>Un 640V AC Urms 450V AC</b>									
3x51	3x1.4	110	3.4	3x34	1.4	4.2	106x180	2.0	C71L351688J9JX2CFN2T
3x68	3x1.5	120	3.7	3x36	1.5	4.5	106x210	2.2	C71L36868859JX2CMN2T
3x80	3x1.1	110	3.1	3x50	2.4	7.2	116x210	2.6	C71L38068859JX2AMN2T
3x100	3x1.0	110	2.8	3x56	2.9	8.7	136x210	3.3	C71L31078859JX2BMN2T
3x135	3x0.9	120	2.5	3x80	3.3	9.9	136x240	3.7	C71L31378869JX2BPN2T
<b>Un 750V AC Urms 530V AC</b>									
3x23	3x0.9	110	4.8	3x35	1.1	3.3	96x160	1.6	C71L323698I9JZ29EN2S
3x30	3x0.9	110	4.1	3x46	1.2	3.6	96x180	1.7	C71L330698J9JZ29FN2S
3x48	3x0.75	100	3.1	3x46	1.8	5.4	116x180	2.2	C71L348698J9JZ2AFN2T
3x100	3x0.6	120	2.1	3x80	2.1	6.3	136x210	3.3	C71L31079859JZ2BMN2T
<b>Un 850V AC Urms 600V AC</b>									
3x25	3x0.6	3x23	3.7	3x46	2.2	6.6	106x180	2.0	C71L32562FJ9J42CFN2T
3x37.5	3x0.5	3x30	2.9	3x46	2.5	7.5	106x210	2.2	C71L33762F59J42CMN2T
3x50	3x0.65	3x48	2.6	3x50	2.6	7.8	116x210	2.6	C71L35062F59J42AMN2T
3x86	3x0.6	3x100	2.0	3x56	4.4	13.2	136x260	3.9	C71L38662FN9J42BON2T
<b>Un 1080V AC Urms 760V AC</b>									
3x17	3x0.5	130	3.7	3x46	2.0	6.0	96x180	1.7	C71L351688J9JX2CFN2T
3x22	3x0.6	120	3.5	3x46	2.5	7.5	106x210	2.2	C71L36868859JX2CMN2T
3x28	3x0.5	120	3.0	3x50	3.0	9.0	116x210	2.6	C71L38068859JX2AMN2T
3x33	3x0.9	130	2.8	3x50	3.1	9.3	116x240	3.0	C71L31078859JX2BMN2T
3x56	3x0.8	130	2.5	3x56	5.0	15	136x240	3.7	C71L31378869JX2BPN2T
<b>Un 1130V AC Urms 800V AC</b>									
3x25	3x0.7	140	2.9	3x46	2.2	6.6	116x210	2.6	C71L32562H59J82AMN2T
3x33	3x0.6	130	2.5	3x46	2.5	7.5	116x240	3.0	C71L33362H69J82APN2T
3x42	3x0.5	130	2.1	3x56	3.0	9.0	136x240	3.5	C71L34262H69J82BPN2T
3x46	3x0.5	130	2.1	3x56	4.0	12	136x240	3.6	C71L34662H69J82BPN2T
3x49	3x0.55	120	2.1	3x56	4.1	12.3	136x240	3.7	C71L34962H69J82BPN2T
<b>Un 1200V AC Urms 850V AC</b>									
3x12	3x1.1	120	4.1	3x32	1.5	4.5	96x210	2.0	C71L31262I59J929MN2S
3x23	3x0.5	110	3.0	3x46	2.8	8.4	116x240	2.8	C71L32362I69J92APN2T
3x25	3x0.4	130	3.0	3x46	2.8	8.4	116x240	3.0	C71L32562I69J92APN2T
3x41	3x0.5	130	2.0	3x56	2.8	8.4	136x240	3.7	C71L34162H69J92BPN2T
3x50	3x0.5	125	1.8	3x56	3.6	10.8	136x255	3.8	C71L35062HN9J92BON2T
3x56	3x0.45	125	1.8	3x70	4.0	12	136x270	4.0	C71L35662H79J92BIN2T