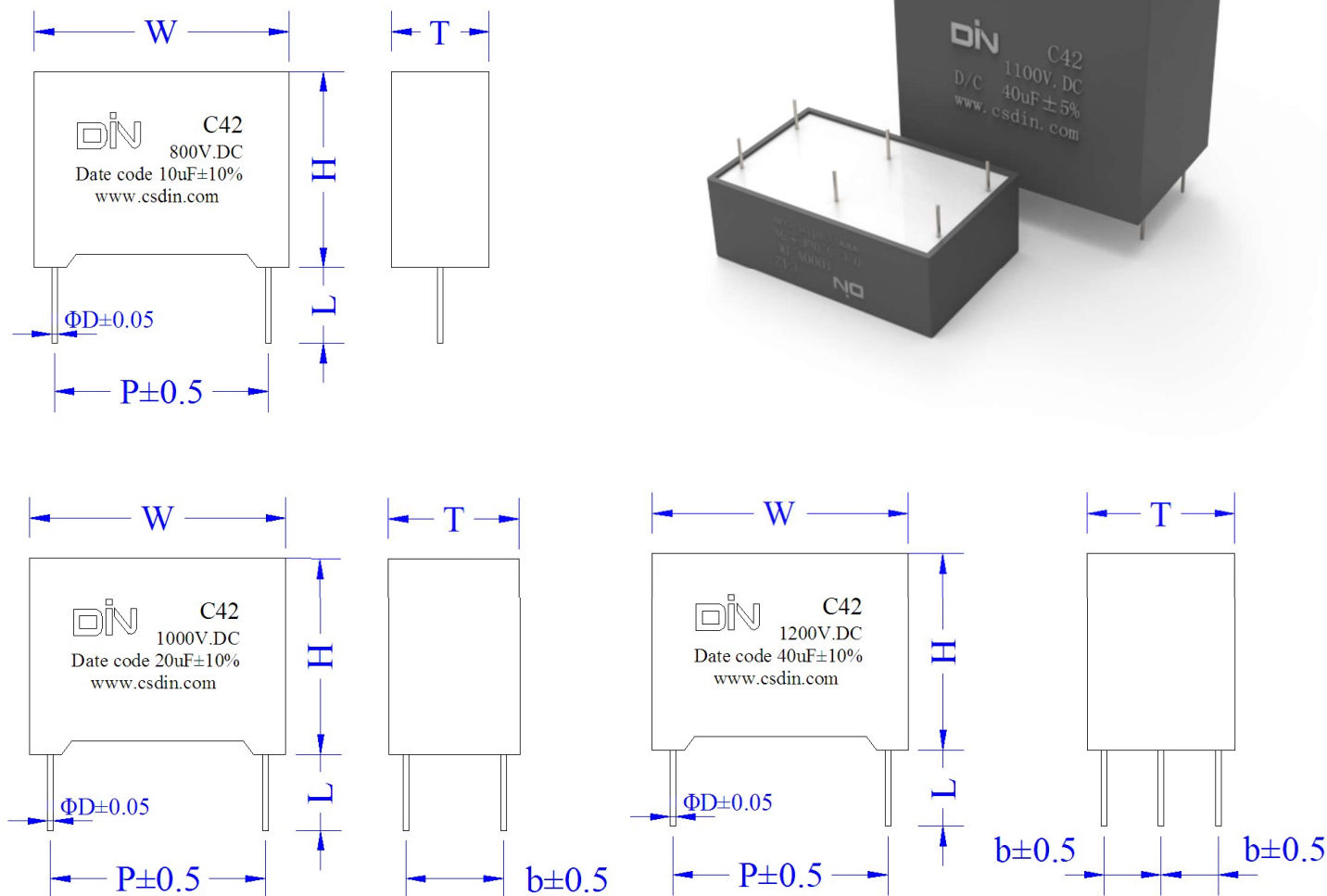


C42 系列 SERIES

■ 外形图 Outline Drawing



■ 特点

- 塑料外壳封装，阻燃（UL 94V-0 级）树脂灌封
- 金属化聚丙烯薄膜无感式卷绕
- 等效串联电阻小，自感小
- 高脉冲电流，高 dv/dt 承受能力

■ 主要用途

- 高性能直流滤波或DC-Link应用场合(如：变频器、工业和高端电源、太阳能逆变器等)

■ Features

- Plastic case, epoxy resin sealing (UL 94V-0)
- Non-inductive winding with metalized polypropylene film
- Low ESR&Low ESL
- High pulse Current, High dv/dt

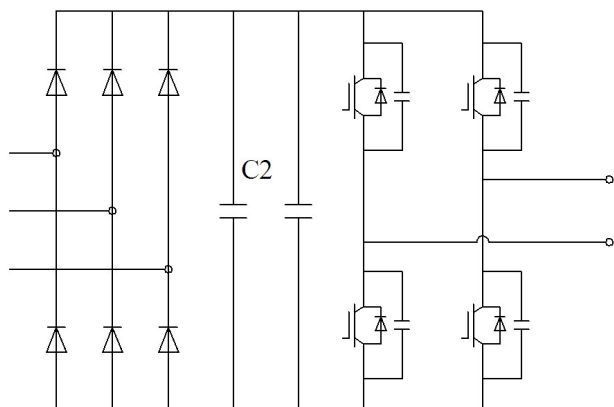
■ Typical application

- DC-Link and coupling/filtering for Inverter, Industrial and high-end power supplies and Solar inverters

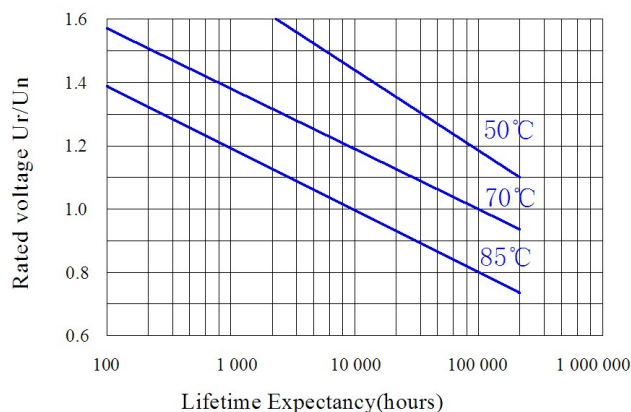
■ 技术参数 Technical Specifications

项目 Items	性能要求 Characteristics	
引用标准/Reference standards	GB/T 17702 IEC 61071	
容量范围/Capacitance	0.68μF ~110μF	
额定电压/Rated Voltage	500V.DC~1200V.DC	
容量偏差/Tolerance	±5% ±10%	
绝缘电阻/Insulation resistance	C·R≥5000S,at 100V.DC,25°C±5°C,60s	
工作温度范围/Operating temperature range	-40°C~85°C	
极间耐电压/Test voltage between terminals	1.5Un (10S,25°C±5°C)	
极壳耐电压/Test voltage between terminals and case	$(\sqrt{2} Un+1000)V.AC(10S,50/60Hz,25°C±5°C)$	
过电压/Over voltage	1.1 Un	30% of the service period
	1.15 Un	30 min/day
	1.2 Un	5 min/day
	1.3 Un	1min/day
	1.5 Un	100ms no more than 1000 times
最高使用海拔/Max Altitude	2000m	
预期寿命/Expected lifetime	100 000hrs @ Un,θhs=70°C	
失效率/Failure rate	100FIT	

■ 典型线路/Typical circuit



■ 预期寿命曲线/ Expected lifetime curve



■ 产品编码说明/Part number code system

▲ 18位产品代码如下:

▲ The 18 digits part number is formed as follow:

C	4	2															
1	2	3	4	5	6	7	8	9	10	11	12	13	14	15	16	17	18

1~3位: 型号代码

Digit 1~3: Series code

4~6位: 标称容量

Digit 4~6: Rated capacitance value

如: 104=10×10⁴PF=0.1uF

Example: 104=10×10⁴PF=0.1uF

7~10位: 内部特征码

Digit 7~10: Internal use

11位: 容量偏差

Digit 11: Capacitance tolerance

J=±5%、K=±10%、M=±20%

J=±5%、K=±10%、M=±20%

12~13位: 额定电压

Digit 12~13: Rated voltage

2Y=500V、24=600V、28=800V

2Y=500V、24=600V、28=800V

20=900V、3A=1000、3V=1200V

20=900V、3A=1000、3V=1200V

14~16位: 引出端代码

Digit 14~16: Terminal code

14位 Digit 14		15位 Digit 15		16位 Digit 16	
代码 Code	电极 Electrode	代码 Code	脚型 Lead kinked	代码 Code	脚长偏差 Length tolerance
3	0.8CU	A	2引线	0	L±1.0mm
4	1.0CU	D	4引线b=10.2mm	A	L±0.5mm
5	1.2CU	H	4引线b=20.3mm		

17~18位: 脚长

00=5.5mm, 38=3.8mm, 40=4.0mm

Digit17~ 18: Lead length

00=5.5mm, 38=3.8mm, 40=4.0mm

■ 标准品一览表 Standard size

静电容量 Cap(uF)	Outline size (mm)			P ±0.5	b ±0.5	d ±0.5	dv/dt (V/us)	tgδ*(10 ⁻⁴)		ESR @10kHz (mΩ)	I _{max} (A)	Part number
	W±1	H±1	T±1					1kHz	10kHz			
Un,85°C: 500V.DC												
5.0	32.0	20.0	11.0	27.5	-	0.8	65	10	100	8.5	5.0	C42505**H*□2Y3AA00
10.0	“	24.5	15.0	“	-	“	“	“	“	7.5	6.5	C42106**H*□2Y3AA00
22.0	“	37.0	22.0	“	-	“	“	“	“	5.0	10.0	C42226**H*□2Y3AA00
30.0	42.0	40.0	20.0	37.5	10.2	1.0	30	15	150	8.0	12.5	C42306**J*□2Y4DA00
35.0	“	36.0	24.0	“	“	“	“	“	“	8.0	13.5	C42356**J*□2Y4DA00
40.0	“	37.5	27.5	“	“	“	“	“	“	5.0	14.5	C42406**J*□2Y4DA00
50.0	“	43.0	28.0	“	“	1.2	“	“	“	4.0	16.0	C42506**J*□2Y5DA00
50.0	“	45.0	30.0	“	20.3	“	“	“	“	“	“	C42506**J*□2Y5HA00
60.0	“	“	“	“	“	“	“	“	“	3.0	16.5	C42606**H*□2Y5HA00
75.0	57.0	43.5	29.5	52.5	10.2	“	15	35	350	5.5	16.0	C42756**M*□2Y5DA00
75.0	“	“	“	“	20.3	“	“	“	“	“	“	C42756**M*□2Y5HA00
80.0	“	43.5	29.5	“	“	“	“	“	“	5.0	16.5	C42806**M*□2Y5HA00
100.0	“	50.0	35.0	“	“	“	“	“	“	4.0	18.0	C42107**M*□2Y5HA00
110.0	“	“	“	“	“	“	“	“	“	“	19.0	C42117**M*□2Y5HA00
Un,85°C: 600V.DC												
2.0	32.0	18.0	9.0	27.5	-	0.8	65	11	100	47.8	2.8	C42205**H*□243AA00
3.0	“	20.0	11.0	“	-	“	“	“	“	31.8	4.1	C42305**H*□243AA00
4.0	“	“	“	“	-	“	“	“	“	23.9	5.5	C42405**H*□243AA00
5.0	“	22.0	13.0	“	-	“	“	“	“	19.1	6.9	C42505**H*□243AA00
6.0	“	24.5	15.0	“	-	“	“	“	“	18.6	7.1	C42605**H*□243AA00
7.0	“	“	“	“	-	“	“	“	“	15.9	8.3	C42705**H*□243AA00
8.0	“	28.0	14.0	“	-	“	“	“	“	13.9	9.5	C42805**H*□243AA00
9.0	“	30.0	16.0	“	-	“	“	“	“	12.4	10.7	C42905**H*□243AA00
10.0	“	“	“	“	-	“	“	“	“	11.1	11.8	C42106**H*□243AA00
12.0	“	33.0	18.0	“	-	“	“	“	“	10.8	12.0	C42126**H*□243AA00
15.0	“	“	“	“	-	“	“	“	“	9.0	12.0	C42156**H*□243AA00
15.0	“	“	“	“	10.2	“	“	“	“	7.4	17.8	C42156**H*□243DA00
18.0	“	“	“	“	-	“	“	“	“	8.0	12.0	C42186**H*□243AA00
18.0	“	“	“	“	10.2	“	“	“	“	6.2	21.3	C42186**H*□243DA00
10.0	41.0	30.0	16.0	37.5	-	1.0	30	20	175	19.5	6.2	C42106**J*□244AA00
12.0	“	“	“	“	-	“	“	“	“	16.3	7.4	C42126**J*□244AA00
15.0	“	33.5	18.5	“	-	“	“	“	“	13.0	9.2	C42156**J*□244AA00
20.0	42.0	40.0	20.0	“	10.2	“	“	“	“	9.8	12.3	C42206**J*□244DA00
22.0	“	“	“	“	“	“	“	“	“	8.9	13.5	C42226**J*□244DA00
25.0	“	“	“	“	“	“	“	“	“	7.8	15.4	C42256**J*□244DA00

◇ 备注：特殊需要可根据客户要求另行设计

◇ Note: Special requirements can be designed according to customer requirements

■ 标准品一览表 Standard size

静电容量 Cap(uF)	Outline size (mm)			P ±0.5	b ±0.5	d ±0.5	dv/dt (V/us)	tgδ*(10 ⁻⁴)		ESR @10kHz (mΩ)	I _{max} (A)	Part number
	W±1	H±1	T±1					1kHz	10kHz			
Un,85°C: 600V.DC												
30.0	42.0	44.0	24.0	37.5	10.2	1.0	30	20	175	6.5	18.5	C42306**J*□244DA00
35.0	“	45.0	30.0	“	“	1.2	“	“	“	6.0	20.1	C42356**J*□245DA00
35.0	“	“	“	“	20.3	“	“	“	“	“	“	C42356**J*□245HA00
40.0	“	“	“	“	10.2	“	“	“	“	5.2	23.0	C42406**J*□245DA00
40.0	“	“	“	“	20.3	“	“	“	“	“	“	C42406**J*□245DA00
45.0	“	50.0	35.0	“	10.2	“	“	“	“	4.6	25.8	C42456**J*□245DA00
45.0	“	“	“	“	20.3	“	“	“	“	“	“	C42456**J*□245HA00
50.0	“	“	“	“	“	“	“	“	“	4.2	28.7	C42506**J*□245HA00
55.0	“	“	“	“	“	“	“	“	“	3.8	31.6	C42556**J*□245HA00
60.0	“	55.0	40.0	“	“	“	“	“	“	3.5	34.5	C42606**J*□245HA00
65.0	“	“	“	“	“	“	“	“	“	3.2	35.0	C42656**J*□245HA00
70.0	“	“	“	“	“	“	“	“	“	3.0	“	C42706**J*□245HA00
75.0	“	60.0	45.0	“	“	“	“	“	“	2.8	“	C42456**J*□245HA00
80.0	“	“	“	“	“	“	“	“	“	2.6	“	C42456**J*□245HA00
85.0	“	“	“	“	“	“	“	“	“	2.5	“	C42456**J*□245HA00
40.0	57.0	45.0	25.0	52.5	10.2	“	15	36	350	9.8	12.3	C42406**M*□245DA00
45.0	“	“	“	“	“	“	“	“	“	8.7	13.8	C42456**M*□245DA00
50.0	“	“	“	“	“	“	“	“	“	7.8	15.4	C42506**M*□245DA00
55.0	“	43.5	29.5	“	“	“	“	“	“	7.1	16.9	C42556**M*□245DA00
55.0	“	“	“	“	20.3	“	“	“	“	“	“	C42556**M*□245HA00
60.0	“	“	“	“	10.2	“	“	“	“	6.5	18.5	C42606**M*□245DA00
60.0	“	“	“	“	20.3	“	“	“	“	“	“	C42606**M*□245HA00
65.0	“	50.0	35.0	“	10.2	“	“	“	“	6.0	20.0	C42656**M*□245DA00
65.0	“	“	“	“	20.3	“	“	“	“	“	“	C42656**M*□245HA00
70.0	“	“	“	“	“	“	“	“	“	5.6	21.5	C42706**M*□245HA00
75.0	“	“	“	“	“	“	“	“	“	5.2	23.1	C42756**M*□245HA00
80.0	“	“	“	“	“	“	“	“	“	4.9	24.6	C42806**M*□245HA00
85.0	“	55.0	45.0	“	“	“	“	“	“	4.8	25.1	C42856**M*□245HA00
90.0	“	“	“	“	“	“	“	“	“	4.6	25.8	C42906**M*□245HA00
95.0	“	“	“	“	“	“	“	“	“	4.4	27.3	C42956**M*□245HA00
100.0	“	“	“	“	“	“	“	“	“	4.2	28.7	C42107**M*□245HA00
110.0	“	“	“	“	“	“	“	“	“	3.8	31.6	C42117**M*□245HA00
120.0	“	65.0	45.0	“	“	“	“	“	“	3.5	34.5	C42127**M*□245HA00
130.0	“	“	“	“	“	“	“	“	“	3.2	35.0	C42137**M*□245HA00
140.0	“	“	“	“	“	“	“	“	“	3.0	35.0	C42147**M*□245HA00

◇ 备注：特殊需要可根据客户要求另行设计

◇ Note: Special requirements can be designed according to customer requirements

■ 标准品一览表 Standard size

静电容量 Cap(uF)	Outline size (mm)			P ±0.5	b ±0.5	d ±0.5	dv/dt (V/us)	tgδ*(10 ⁻⁴)		ESR @10kHz (mΩ)	I _{max} (A)	Part number
	W±1	H±1	T±1					1kHz	10kHz			
Un,85°C: 800V.DC												
2.0	32.0	18.0	9.0	27.5	-	0.8	65	10	95	45.4	2.9	C42205**H*□283AA00
3.0	“	20.0	11.0	“	-	“	“	“	“	30.3	4.4	C42305**H*□283AA00
3.3	“	30.0	16.0	“	-	“	“	“	“	18.8	7.0	C42335**H*□283AA00
4.0	“	25.0	13.0	“	-	“	“	“	“	22.7	5.8	C42405**H*□283AA00
5.0	“	24.5	15.0	“	-	“	“	“	“	18.2	7.3	C42505**H*□283AA00
6.0	“	30.0	16.0	“	-	“	“	“	“	15.1	8.7	C42605**H*□283AA00
7.0	“	“	“	“	-	“	“	“	“	13.0	10.2	C42705**H*□283AA00
8.0	“	33.0	18.0	“	-	“	“	“	“	12.5	10.5	C42805**H*□283AA00
9.0	“	“	“	“	-	“	“	“	“	11.1	11.8	C42905**H*□283AA00
10.0	“	37.0	22.0	“	-	“	“	“	“	11.0	12.0	C42106**H*□283AA00
10.0	“	“	“	“	10.2	“	“	“	“	9.1	14.5	C42106**H*□283DA00
11.0	“	“	“	“	-	“	“	“	“	10.0	12.0	C42116**H*□283AA00
11.0	“	“	“	“	10.2	“	“	“	“	8.3	16.0	C42116**H*□283DA00
12.0	“	“	“	“	-	“	“	“	“	9.3	12.0	C42126**H*□283AA00
12.0	“	“	“	“	10.2	“	“	“	“	7.6	16.0	C42126**H*□283DA00
13.0	“	“	“	“	-	“	“	“	“	8.8	12.0	C42136**H*□283AA00
13.0	“	“	“	“	10.2	“	“	“	“	8.1	16.2	C42136**H*□283DA00
14.0	“	“	“	“	-	“	“	“	“	8.2	12.0	C42146**H*□283AA00
14.0	“	“	“	“	10.2	“	“	10	160	7.6	17.5	C42146**H*□283DA00
8.0	41.0	30.0	16.0	37.5	-	1.0	30	18	“	22.3	5.4	C42805**J*□284AA00
9.0	“	“	“	“	-	“	“	“	“	19.8	6.1	C42905**J*□284AA00
10.0	“	33.5	18.5	“	-	“	“	“	“	17.8	6.7	C42106**J*□284AA00
12.0	“	33.5	20.0	“	-	“	“	“	“	14.9	8.1	C42126**J*□284AA00
15.0	42.0	40.0	24.0	“	10.2	“	“	“	“	11.9	10.1	C42156**J*□284DA00
20.0	“	44.0	“	“	“	“	“	“	“	8.9	13.5	C42206**J*□284DA00
25.0	“	“	30.0	“	“	“	“	“	“	7.1	16.8	C42256**J*□284DA00
30.0	“	45.0	“	“	“	1.2	“	“	“	5.9	20.2	C42306**J*□285DA00
30.0	“	“	“	“	20.3	“	“	“	“	5.9	20.2	C42306**J*□285HA00
35.0	“	“	35.0	“	“	“	“	“	“	5.9	22.0	C42356**J*□285HA00
40.0	“	50.0	“	“	“	“	“	“	“	5.5	25.1	C42406**J*□285HA00
45.0	“	“	40.0	“	“	“	“	“	“	4.8	28.3	C42456**J*□285HA00
50.0	“	55.0	“	“	“	“	“	“	“	4.2	31.4	C42506**J*□285HA00
55.0	“	“	45.0	“	“	“	“	“	“	3.8	34.5	C42556**J*□285HA00
60.0	“	60.0	“	“	“	“	“	“	“	3.5	35.0	C42606**J*□285HA00
65.0	“	“	“	“	“	“	“	“	“	3.2	35.0	C42656**J*□285HA00
25.0	57.0	45.0	25.0	52.5	10.2	“	15	33	320	2.9	8.4	C42256**M*□285DA00

◇ 备注：特殊需要可根据客户要求另行设计

◇ Note: Special requirements can be designed according to customer requirements

■ 标准品一览表 Standard size

静电容量 Cap(uF)	Outline size (mm)			P ±0.5	b ±0.5	d ±0.5	dv/dt (V/us)	tgδ*(10 ⁻⁴)		ESR @10kHz (mΩ)	I _{max} (A)	Part number
	W±1	H±1	T±1					1kHz	10kHz			
Un,85°C: 800V.DC												
30.0	57.0	45.0	25.0	52.5	10.2	1.2	15	33	320	11.9	10.1	C42306**M*□285DA00
35.0	“	“	“	“	“	“	“	“	“	10.2	11.8	C42356**M*□285DA00
40.0	“	43.5	29.5	“	“	“	“	“	“	8.9	13.5	C42406**M*□285DA00
40.0	“	“	“	“	20.3	“	“	“	“	8.9	13.5	C42406**M*□285HA00
45.0	“	“	“	“	10.2	“	“	“	“	7.9	15.1	C42456**M*□285DA00
45.0	“	“	“	“	20.3	“	“	“	“	7.9	15.1	C42456**M*□285HA00
50.0	“	50.0	35.0	“	10.2	“	“	“	“	7.1	16.8	C42506**M*□285DA00
50.0	“	“	“	“	20.3	“	“	“	“	7.1	16.8	C42506**M*□285HA00
55.0	“	“	“	“	“	“	“	“	“	6.5	18.5	C42556**M*□285HA00
60.0	“	“	“	“	“	“	“	“	“	5.9	20.2	C42606**M*□285HA00
65.0	“	55.0	45.0	“	“	“	“	“	“	5.5	21.9	C42656**M*□285HA00
70.0	“	“	“	“	“	“	“	“	“	5.1	23.6	C42706**M*□285HA00
75.0	“	“	“	“	“	“	“	“	“	4.8	25.2	C42756**M*□285HA00
80.0	“	“	“	“	“	“	“	“	“	4.6	25.9	C42806**M*□285HA00
85.0	“	“	“	“	“	“	“	“	“	4.5	26.7	C42856**M*□285HA00
90.0	“	“	“	“	“	“	“	“	“	4.2	28.3	C42906**M*□285HA00
95.0	“	65.0	“	“	“	“	“	“	“	4.0	29.8	C42956**M*□285HA00
100.0	“	“	“	“	“	“	“	“	“	3.8	31.4	C42107**M*□285HA00
110.0	“	“	“	“	“	“	“	“	“	3.5	34.5	C42117**M*□285HA00
Un,85°C: 900V.DC												
1.0	32.0	18.0	9.0	27.5	-	0.8	70	9	90	86.0	1.5	C42105**H*□203AA00
2.0	“	20.0	11.0	“	-	“	“	“	“	43.0	3.1	C42205**H*□203AA00
3.0	“	22.0	13.0	“	-	“	“	“	“	28.7	4.6	C42305**H*□203AA00
4.0	“	24.5	15.0	“	-	“	“	“	“	21.5	6.1	C42405**H*□203AA00
5.0	“	30.0	16.0	“	-	“	“	“	“	17.2	7.7	C42505**H*□203AA00
6.0	“	33.0	18.0	“	-	“	“	“	“	18.0	6.9	C42605**H*□203AA00
7.0	“	“	“	“	-	“	“	“	“	13.0	10.2	C42705**H*□203AA00
8.0	“	37.0	22.0	“	-	“	“	“	“	11.5	11.4	C42805**H*□203AA00
8.0	“	“	“	“	10.2	“	“	“	“	10.7	12.3	C42805**H*□203DA00
9.0	“	“	“	“	-	“	“	“	“	10.4	12.0	C42905**H*□203AA00
9.0	“	“	“	“	10.2	“	“	“	“	9.6	13.8	C42905**H*□203DA00
10.0	“	“	“	“	-	“	“	“	“	12.0	12.2	C42106**H*□203AA00
10.0	“	“	“	“	10.2	“	“	“	“	8.6	15.4	C42106**H*□203DA00
4.7	41.0	26.0	15.0	37.5	-	1.0	35	17	150	35.6	3.4	C42475**J*□204AA00
5.0	“	30.0	16.0	“	-	“	“	“	“	33.4	3.6	C42505**J*□204AA00

◇ 备注：特殊需要可根据客户要求另行设计

◇ Note: Special requirements can be designed according to customer requirements

■ 标准品一览表 Standard size

静电容量 Cap(uF)	Outline size (mm)			P ±0.5	b ±0.5	d ±0.5	dv/dt (V/us)	tgδ*(10 ⁻⁴)		ESR @10kHz (mΩ)	I _{max} (A)	Part number
	W±1	H±1	T±1					1kHz	10kHz			
Un,85°C: 900V.DC												
6.0	41.0	30.0	16.0	37.5	-	1.0	35	17	150	27.9	4.3	C42605**J*□204AA00
7.0	“	“	“	“	-	“	“	“	“	23.9	5.0	C42705**J*□204AA00
8.0	“	33.0	18.0	“	-	“	“	“	“	20.9	5.7	C42805**J*□204AA00
10.0	42.0	40.0	20.0	“	10.2	“	“	“	“	16.7	7.2	C42106**J*□204DA00
12.0	41.0	37.0	22.0	“	“	“	“	“	“	13.9	8.6	C42126**J*□204DA00
15.0	42.0	44.0	24.0	“	“	“	“	“	“	11.1	10.8	C42156**J*□204DA00
18.0	“	“	“	“	“	“	“	“	“	9.3	12.9	C42186**J*□204DA00
20.0	“	“	“	“	“	“	“	“	“	8.4	14.4	C42206**J*□204DA00
25.0	“	45.0	30.0	“	“	1.2	“	“	“	6.7	17.9	C42256**J*□205DA00
25.0	“	“	“	“	20.3	“	“	“	“	“	“	C42256**J*□205HA00
30.0	“	50.0	35.0	“	“	“	“	“	“	5.6	21.5	C42306**J*□205HA00
35.0	“	55.0	40.0	“	“	“	“	“	“	5.1	23.4	C42356**J*□205HA00
40.0	“	“	“	“	“	“	“	“	“	4.5	26.8	C42406**J*□205HA00
45.0	“	60.0	45.0	“	“	“	“	“	“	4.0	30.1	C42456**J*□205HA00
50.0	“	“	“	“	“	“	“	“	“	3.6	33.5	C42506**J*□205HA00
15.0	57.0	45.0	25.0	52.5	10.2	“	15	31	300	22.3	5.4	C42156**M*□205DA00
20.0	“	“	“	“	“	“	“	“	“	16.7	7.2	C42206**M*□205DA00
25.0	“	“	“	“	“	“	“	“	“	13.4	9.0	C42256**M*□205DA00
30.0	“	43.5	29.5	“	“	“	“	“	“	11.1	10.8	C42306**M*□205DA00
30.0	“	“	“	“	20.3	“	“	“	“	“	“	C42306**M*□205HA00
35.0	“	“	“	“	10.2	“	“	“	“	9.6	12.6	C42356**M*□205DA00
35.0	“	“	“	“	20.3	“	“	“	“	“	“	C42356**M*□205HA00
40.0	“	50.0	35.0	“	“	“	“	“	“	8.4	14.4	C42406**M*□205HA00
45.0	“	“	“	“	“	“	“	“	“	7.4	16.1	C42456**M*□205HA00
50.0	“	“	“	“	“	“	“	“	“	6.7	17.9	C42506**M*□205HA00
55.0	“	55.0	45.0	“	“	“	“	“	“	6.1	19.7	C42556**M*□205HA00
60.0	“	“	“	“	“	“	“	“	“	5.6	21.5	C42606**M*□205HA00
65.0	“	“	“	“	“	“	“	“	“	5.1	23.3	C42656**M*□205HA00
70.0	“	65.0	“	“	“	“	“	“	“	4.8	25.1	C42706**M*□205HA00
75.0	“	“	“	“	“	“	“	“	“	4.7	25.7	C42756**M*□205HA00
80.0	“	“	“	“	“	“	“	“	“	4.5	26.8	C42806**M*□205HA00
85.0	“	“	“	“	“	“	“	“	“	4.2	28.5	C42856**M*□205HA00

◇ 备注：特殊需要可根据客户要求另行设计

◇ Note: Special requirements can be designed according to customer requirements

■ 标准品一览表 Standard size

静电容量 Cap(uF)	Outline size (mm)			P ±0.5	b ±0.5	d ±0.5	dv/dt (V/us)	tgδ*(10 ⁻⁴)		ESR @10kHz (mΩ)	I _{max} (A)	Part number
	W±1	H±1	T±1					1kHz	10kHz			
Un,85℃: 1000V.DC												
1.0	32.0	18.0	9.0	27.5	-	0.8	75	8	80	76.4	1.7	C42105**H*□3A3AA00
2.0	"	22.0	13.0	"	-	"	"	"	"	38.2	3.5	C42205**H*□3A3AA00
3.0	"	24.5	15.0	"	-	"	"	"	"	25.5	5.2	C42305**H*□3A3AA00
4.0	"	30.0	16.0	"	-	"	"	"	"	19.1	6.8	C42405**H*□3A3AA00
5.0	"	33.0	18.0	"	-	"	"	"	"	15.3	8.6	C42505**H*□3A3AA00
6.0	"	33.0	18.0	"	-	"	"	"	"	14.9	8.9	C42605**H*□3A3AA00
7.0	"	37.0	22.0	"	-	"	"	"	"	14.5	9.4	C42705**H*□3A3AA00
7.0	"	"	"	"	10.2	"	"	"	"	11.4	11.6	C42705**H*□3A3DA00
8.0	"	"	"	"	-	"	"	"	"	13.0	10.8	C42805**H*□3A3AA00
8.0	"	"	"	"	10.2	"	"	"	"	10.0	13.3	C42805**H*□3A3DA00
5.0	41.0	30.0	16.0	37.5	-	1.0	37	15	140	31.2	3.8	C42505**J*□3A4AA00
6.0	"	"	"	"	-	"	"	"	"	26.0	4.6	C42605**J*□3A4AA00
7.0	"	33.0	18.0	"	-	"	"	"	"	22.3	5.4	C42705**J*□3A4AA00
8.0	"	"	"	"	-	"	"	"	"	19.5	6.2	C42805**J*□3A4AA00
10.0	42.0	40.0	20.0	"	-	"	"	"	"	15.6	6.7	C42106**J*□3A4AA00
10.0	"	"	"	"	10.2	"	"	"	"	15.6	7.7	C42106**J*□3A4DA00
12.0	41.0	37.0	22.0	"	"	"	"	"	"	13.0	9.2	C42126**J*□3A4DA00
12.0	"	"	"	"	-	"	"	"	"	15.0	8.0	C42126**J*□3A4AA00
15.0	42.0	44.0	24.0	"	10.2	"	"	"	"	10.4	11.5	C42156**J*□3A4DA00
18.0	"	45.0	30.0	"	"	"	"	"	"	8.7	13.8	C42186**J*□3A5DA00
18.0	"	"	"	"	20.3	"	"	"	"	8.7	13.8	C42186**J*□3A5HA00
20.0	"	"	"	"	10.2	"	"	"	"	7.8	15.4	C42206**J*□3A5DA00
20.0	"	"	"	"	20.3	"	"	"	"	"	"	C42206**J*□3A5HA00
25.0	"	50.0	35.0	"	"	"	"	"	"	6.2	19.2	C42256**J*□3A5HA00
30.0	"	"	40.0	"	"	"	"	"	"	5.2	23.1	C42306**J*□3A5HA00
35.0	"	"	"	"	"	"	"	"	"	4.8	25.1	C42356**J*□3A5HA00
40.0	"	60.0	45.0	"	"	"	"	"	"	4.2	28.7	C42406**J*□3A5HA00
15.0	57.0	45.0	25.0	52.5	10.2	1.2	17	28	280	20.8	5.8	C42156**M*□3A5DA00
20.0	"	45.0	"	"	"	"	"	"	"	15.6	7.7	C42206**M*□3A5DA00
25.0	"	"	"	"	"	"	"	"	"	12.5	9.6	C42256**M*□3A5DA00
30.0	"	"	30.0	"	"	"	"	"	"	10.4	11.5	C42306**M*□3A5DA00
30.0	"	"	30.0	"	20.3	"	"	"	"	"	"	C42306**M*□3A5HA00
35.0	"	50.0	35.0	"	"	"	"	"	"	8.9	13.5	C42356**M*□3A5HA00
40.0	"	"	"	"	"	"	"	"	"	7.8	15.4	C42406**M*□3A5HA00
45.0	"	55.0	45.0	"	"	"	"	"	"	6.9	17.3	C42456**M*□3A5HA00
50.0	"	"	"	"	"	"	"	"	"	6.2	19.2	C42506**M*□3A5HA00
55.0	"	"	"	"	"	"	"	"	"	5.7	21.1	C42556**M*□3A5HA00
60.0	"	65.0	"	"	"	"	"	"	"	5.2	23.1	C42606**M*□3A5HA00
65.0	"	"	"	"	"	"	"	"	"	4.8	25.0	C42656**M*□3A5HA00
70.0	"	"	"	"	"	"	"	"	"	4.5	26.9	C42706**M*□3A5HA00

◇ 备注：特殊需要可根据客户要求另行设计

◇ Note: Special requirements can be designed according to customer requirements

■ 标准品一览表 Standard size

静电容量 Cap(uF)	Outline size (mm)			P ±0.5	b ±0.5	d ±0.5	dv/dt (V/us)	tgδ*(10 ⁻⁴)		ESR @10kHz (mΩ)	I _{max} (A)	Part number
	W±1	H±1	T±1					1kHz	10kHz			
Un,85℃: 1100V.DC												
0.68	32.0	20.0	11.0	27.5	-	0.8	80	8	70	80.0	1.7	C42684**H*□3B3AA00
1.0	"	"	"	"	-	"	"	"	"	59.4	2.2	C42105**H*□3B3AA00
1.5	"	"	13.0	"	-	"	"	"	"	55.7	2.4	C42155**H*□3B3AA00
2.0	"	25.0	"	"	-	"	"	"	"	27.9	4.7	C42205**H*□3B3AA00
3.0	"	30.0	16.0	"	-	"	"	"	"	20.4	6.6	C42305**H*□3B3AA00
4.0	"	33.0	18.0	"	-	"	"	"	"	15.3	8.6	C42405**H*□3B3AA00
5.0	"	37.0	22.0	"	-	"	"	"	"	14.0	9.8	C42505**H*□3B3DA00
5.0	"	"	"	"	10.2	"	"	"	"	12.3	10.8	C42505**H*□3B3AA00
6.0	"	"	"	"	-	"	"	"	"	"	"	C42605**H*□3B3DA00
6.0	"	"	"	"	10.2	"	"	"	"	10.2	12.9	C42605**H*□3B3AA00
3.0	41.0	30.0	16.0	37.5	-	1.0	40	15	130	48.3	2.5	C42305**J*□3B4AA00
4.0	"	"	"	"	-	"	"	"	"	36.2	3.3	C42405**J*□3B4AA00
4.7	"	33.5	18.5	"	-	"	"	"	"	30.8	3.9	C42475**J*□3B4AA00
5.0	"	"	"	"	-	"	"	"	"	29.0	4.1	C42505**J*□3B4AA00
6.0	"	"	"	"	-	"	"	"	"	24.2	5.0	C42605**J*□3B4AA00
7.0	42.0	40.0	20.0	"	10.2	"	"	"	"	20.7	5.8	C42705**J*□3B4DA00
8.0	41.0	37.0	"	"	"	"	"	"	"	18.1	6.6	C42805**J*□3B4DA00
9.0	"	"	"	"	"	"	"	"	"	16.1	7.5	C42905**J*□3B4DA00
10.0	42.0	44.0	24.0	"	"	"	"	"	"	14.5	8.3	C42106**J*□3B4DA00
12.0	"	"	"	"	"	"	"	"	"	12.1	9.9	C42126**J*□3B4DA00
12.0	"	"	"	"	-	"	"	"	"	14.0	8.6	C42126**J*□3B4AA00
15.0	"	45.0	30.0	"	10.2	1.2	"	"	"	9.7	12.4	C42156**J*□3B5DA00
15.0	"	"	"	"	20.3	"	"	"	"	"	"	C42156**J*□3B5HA00
18.0	"	50.0	35.0	"	"	"	"	"	"	8.1	14.9	C42186**J*□3B5HA00
20.0	"	"	"	"	"	"	"	"	"	7.2	16.6	C42206**J*□3B5HA00
25.0	"	55.0	40.0	"	"	"	"	"	"	5.8	20.7	C42256**J*□3B5HA00
30.0	"	60.0	45.0	"	"	"	"	"	"	4.8	24.8	C42306**J*□3B5HA00
15.0	57.0	45.0	25.0	52.5	10.2	"	20	27	260	19.3	6.2	C42156**M*□3B5DA00
20.0	"	43.5	29.5	"	"	"	"	"	"	14.5	8.3	C42206**M*□3B5DA00
20.0	"	"	"	"	20.3	"	"	"	"	"	"	C42206**M*□3B5HA00
25.0	"	50.0	35.0	"	"	"	"	"	"	11.6	10.4	C42256**M*□3B5HA00
30.0	"	"	"	"	"	"	"	"	"	9.7	12.4	C42306**M*□3B5HA00
35.0	"	55.0	45.0	"	"	"	"	"	"	8.4	14.3	C42356**M*□3B5HA00
40.0	"	"	"	"	"	"	"	"	"	7.8	15.5	C42406**M*□3B5HA00
45.0	"	"	"	"	"	"	"	"	"	6.9	17.4	C42456**M*□3B5HA00
50.0	"	65.0	"	"	"	"	"	"	"	6.2	19.3	C42506**M*□3B5HA00
55.0	"	"	"	"	"	"	"	"	"	5.6	21.3	C42556**M*□3B5HA00

◇ 备注：特殊需要可根据客户要求另行设计

◇ Note: Special requirements can be designed according to customer requirements

■ 标准品一览表 Standard size

静电容量 Cap(uF)	Outline size (mm)			P ±0.5	b ±0.5	d ±0.5	dv/dt (V/us)	tgδ*(10 ⁻⁴)		ESR @10kHz (mΩ)	I _{max} (A)	Part number
	W±1	H±1	T±1					1kHz	10kHz			
Un,85°C: 1200V.DC												
1.0	32.0	20.0	11.0	27.5	—	0.8	90	7	55	39.5	4.5	C42105**H*□3C3AA00
2.0	"	24.5	15.0	"	—	"	"	"	"	26.3	5.0	C42205**H*□3C3AA00
3.0	"	30.0	16.0	"	—	"	"	"	"	17.5	7.5	C42305**H*□3C3AA00
4.0	"	33.0	18.0	"	—	"	"	"	"	13.9	9.5	C42405**H*□3C3AA00
5.0	"	37.0	22.0	"	—	"	"	"	"	10.2	10.4	C42505**H*□3C3AA00
5.0	"	"	"	"	10.2	"	"	"	"	11.1	11.8	C42505**H*□3C3DA00
3.0	41.0	30.0	16.0	37.5	—	1.0	45	13	100	37.2	3.2	C42305**J*□3C4AA00
4.0	"	"	"	"	—	"	"	"	"	27.9	4.3	C42405**J*□3C4AA00
5.0	"	33.5	18.5	"	—	"	"	"	"	22.3	5.4	C42505**J*□3C4AA00
6.0	42.0	40.0	20.0	"	—	"	"	"	"	18.6	6.5	C42605**J*□3C4AA00
7.0	41.0	37.0	22.0	"	10.2	"	"	"	"	15.9	7.2	C42705**J*□3C4DA00
8.0	42.0	44.0	24.0	"	"	"	"	"	"	13.9	8.6	C42805**J*□3C4DA00
9.0	"	"	"	"	"	"	"	"	"	12.4	9.7	C42905**J*□3C4DA00
10.0	"	"	"	"	"	"	"	"	"	11.1	10.8	C42106**J*□3C4DA00
12.0	"	45.0	30.0	"	"	1.2	"	"	"	9.3	12.9	C42126**J*□3C5DA00
12.0	"	"	"	"	20.3	"	"	"	"	9.3	12.9	C42126**J*□3C5HA00
15.0	"	50.0	35.0	"	"	"	"	"	"	7.4	16.1	C42156**J*□3C5HA00
18.0	"	"	"	"	"	"	"	"	"	6.6	18.1	C42186**J*□3C5HA00
20.0	"	55.0	40.0	"	"	"	"	"	"	6.	20.1	C42206**J*□3C5HA00
25.0	"	60.0	45.0	"	"	"	"	"	"	4.8	25.1	C42256**J*□3C5HA00
12.0	57.0	45.0	25.0	52.5	10.2	"	23	24	200	19.9	6.0	C42126**M*□3C5DA00
15.0	"	"	"	"	"	"	"	"	"	15.9	7.5	C42156**M*□3C5DA00
20.0	"	43.5	29.5	"	"	"	"	"	"	11.9	10.0	C42206**M*K3C5DA00
20.0	"	"	"	"	20.3	"	"	"	"	"	"	C42206**M*K3C5HA00
20.0	"	45.0	30.0	"	10.2	"	"	"	"	"	"	C42206**M*J3C5DA00
20.0	"	"	"	"	20.3	"	"	"	"	"	"	C42206**M*J3C5HA00
25.0	"	50.0	35.0	"	"	"	"	"	"	9.6	12.6	C42256**M*□3C5HA00
30.0	"	55.0	45.0	"	"	"	"	"	"	8.0	15.1	C42306**M*□3C5HA00
35.0	"	"	"	"	"	"	"	"	"	6.8	17.6	C42356**M*□3C5HA00
40.0	"	65.0	"	"	"	"	"	"	"	6.0	20.1	C42406**M*□3C5HA00
45.0	"	"	"	"	"	"	"	"	"	5.3	22.6	C42456**M*□3C5HA00

◇ 备注：特殊需要可根据客户要求另行设计

◇ Note: Special requirements can be designed according to customer requirements

◇ 1.“**”、“*”表示内部特征码；“***”、“***”=Internal use

◇ 2.“□”表示容量偏差；“□”= Capacitance tolerance